

v30571\_1.zip  
Layer: V3\_ADAPTOR-5.TOP

TOP view

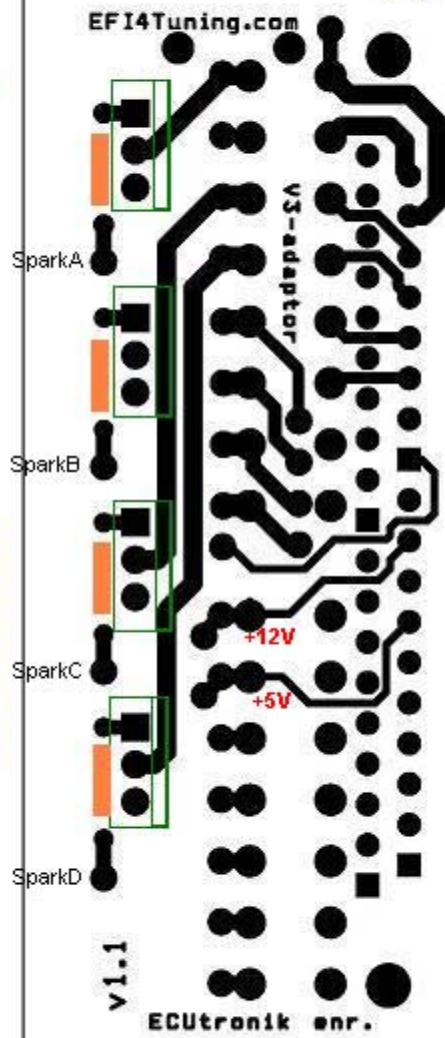
EFI4Tuning.com

330 ohms

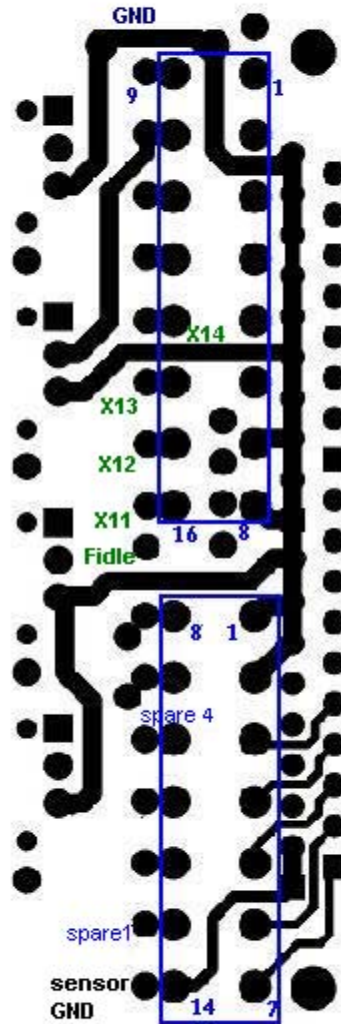


VB921

Megasquirt side



TOP routing



BOT routing

Q16  
FP  
inj 2  
inj 2  
inj1  
inj1  
Harness side  
VR+  
O2  
TPS  
CLT  
IAT